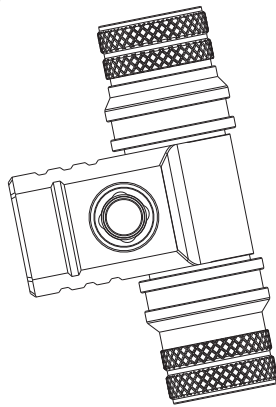


HR25



使用说明书

感谢您购买我们的产品!
www.jetbeamlight.com

产品特性

- 多用于露营、骑行、探险&搜救等室外活动
- 内置USB充电口并加装防水橡胶盖;
- 使用Luminus SST-40(N4)灯珠, 最高输出达1180流明;
- 使用数字化光学系统设计光杯, 射程高达150米;
- 采用高效率数字化恒流电路, 续航时间高达15小时;
- 新一代IC数字电路设计, LED与电池双重智能保护, 最大程度延长LED和电池使用寿命, 使用更安全;
- 圆形按键下内置有电量显示灯
- IPX-6防水标准(水下1米)
- 1米的抗防撞高度

产品参数

LED: Luminus SST-40 N4
最大输出: 1180流明
反光杯: 金属镀膜反光杯
镜片: 镀膜矿物质玻璃
筒身材质: 航天铝合金
筒身处理: 军规三级硬质氧化表面耐磨处理
使用电池: 1节18650电池
开关: 圆形按键

长度: 82mm
头部直径: 29mm
尾部直径: 26.5mm
重量: 83克(不含电池)

选用电池

	尺寸规格	标称电压	是否可用
18650锂电池	18650	3.7V	是(推荐使用)

亮度和时间

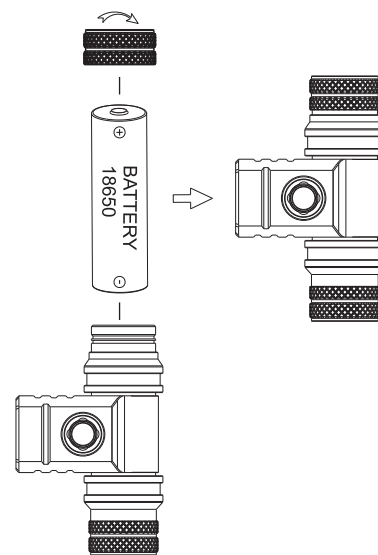
FL1 STANDARD	高亮	中亮	低亮
	1180 LUMENS	260 LUMENS	70 LUMENS
	2h	6h	15h
	150m		
	5200cd		
	1m		
	IPX-6		



- 注:
- 以上数据是按照国际手电筒测量标准ANSI/NEMA, FL1所述之测量方法, 是使用1节JETBeam 3.7V 2400mAh 18650充电锂电池在实验室内测量所得, 不同电池或使用环境可能会对以上数据产生影响;
 - 头灯在开启超高亮档一段时间后会启用自降档功能, 防止过热并且有效保护LED寿命, 温度过高时手电开始缓慢降档, 直到亮度低于65%, 如果需要再用超高亮档, 只需关闭再次打开或拧松灯头后再拧紧即可;
 - 本款手电有低电量测试功能, 当电池电量低于10%时, 会自动降到低亮档, 最大程度保护电池寿命

使用头灯

装入电池
请按下图所示拧开筒身盖子后装入电池, 确保电池正负极方向放入, 然后拧紧盖子。



警告
1. 请将电池按照正负极灯头方向放入, 反装电池电筒将不能工作。
2. 不能将光线直接照射眼睛, 以免对眼睛造成伤害。

开启&关闭

长按圆形按键0.3秒, 头灯开启, 单击关闭

档位切换

当头灯开启后, 长按圆形按键, 档位从高-中-低依次循环双击开启爆闪功能, 单击退出爆闪, 再次单击关闭。

记忆功能

照明档带记忆功能, 一个档位关闭时间超过2秒后再次打开, 亮度为关闭前档位; 爆闪档不带记忆功能。

电量指示

电量提示灯放于按键下
RGB灯显示不同的颜色代表不同的电池电量
绿色(100% - 50%); 蓝色(50% - 10%);
红色(Less than 10%).
充电时红灯并不停闪烁

保养电筒

请每半年使用软布清洁电筒的螺牙, 并使用硅润滑油润滑螺牙。

保固

JETBEAM® 产品拥有售后保固服务, 在购买本产品的15天内, 如果有任何质量问题均可向经销商要求免费更换, 在购买本产品的24个月内享受免费保固服务, 在超过24个月免费保固期后, 本产品享有终身有限度保固服务, 如需要更换重要部件则需收取成本费用。

本保固规则不适用于以下情况:

- 人为破坏, 拆解, 改装本产品。
- 错误操作导致产品损坏(如装反电池等)。
- 电池漏液导致产品损坏。

如需协助, JETBEAM® 敬请消费者首先联系购买产品的经销商或零售商, 以获得最迅速的售后服务或发邮件到 info@jetbeamlight.com。

备注: 产品数据如有更新, 敬请以JETBEAM官方网站为准。

★ 仅限国内区域, 跨区销售将不予保修。

深圳市杰特明电子科技有限公司

咨询热线: +86-0755-28077748

销售邮箱: info@jetbeamlight.com

网 址: www.jetbeamlight.com

公司地址: 深圳市宝安区龙华大浪南路墩背工业区一栋

邮 编: 518109



LED: Luminus SST-40 N4

- Mainly used for outdoor camping, bicycling, adventuring, searching, rescuing, etc.
- With built-in Micro USB port and equipped with waterproof rubber plug;
- With Luminus SST-40(N4) Led, Maximum output up to 1180 lumens;
- Reflector designed by digital optical system, max beam distance up to 150 meters;
- Adopt efficient digital constant current circuit, max runtime endures 15 hours;
- A new generation design of IC digital circuit provides double intelligent protections for both LED and battery to prolong their lifespan and make much safer usage;
- Power indicator is built under the round button.
- IPX-6 waterproof standard(1 meter under the water)
- Within the impact resistance height of 1 meter.

Battery Choices

	Size	Nominal Voltage	Compatible
Rechargeable lithium battery	18650	3.7V	Yes(recommend)

Specifications

LED: Luminus SST-40 N4
Maximum output: 1180 lumens
Reflector: Coated metal reflector
Glass: Coated mineral glass
Body material: Aero grade aluminum alloy
Finish: HA III military grade hard-anodized anti-abrasive finish
Battery: 1*18650
Switch: Round button
Length: 82mm
Head diameter: 29mm
Tail diameter: 26.5mm
Weight: 83g (without batteries)

Accessories

For free: Spare O-ring, 18650 rechargeable battery(2400mAh), USB charging cable, headband
For option: battery, charger

Output & Runtime

FL1 STANDARD	High	Mid	Low
	1180lumens	260lumens	70lumens
	2h	6h	15h
	150 meters (Max Beam Distance)		
	5200 cd (Max Intensity)		
	1 meters (Impact Resistance)		
	IPX-6		



- Note**
- The above data complies with the American National Standard Institute ANSI/NEMA FL1 Standard. Data was obtained using 1 pc. Jetbeam 3.7v 18650 battery with 2400 mAh capacity. Different data may result when using different batteries.
 - When the flashlight is run at maximum output, the flashlight body may become hot. In order to protect the flashlight's circuit and the LED chip, the flashlight will automatically step down to 65% brightness after 3 minutes in a smooth transition. If the power is cycled again (off->on), the flashlight will return to maximum brightness.
 - This flashlight has automatic power detection. If the battery has less than 10% capacity remaining, the flashlight will automatically step down to a lower brightness setting to preserve runtime and prevent battery overcharge. Max brightness may be disabled when battery capacity is extremely low.

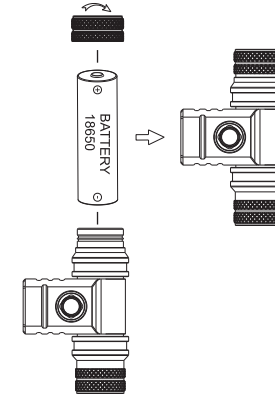
Manual

Operation

Unscrew the battery compartment cap and insert the battery into the headlamp according to the illustration below. Ensure that the positive end of the battery is pointed toward the lamp then.

ON/OFF Switching

Keep pressing the power switch (round button) for 0.3 second to turn on the headlamp. Click the power switch once to turn headlamp off



***This flashlight will not turn-on if the battery's polarity is reversed**
***Do not shine the flashlight beam directly into eyes**

Changing Output and Strobe Activation

With the flashlight turned on, hold the round side switch to change output levels in order from high -mid-low and the cycle will repeat. Double click the round side switch will activate the strobe function. Click once to exit strobe mode. Click once to turn off flashlight.

Memory Function

The output level (except strobe) will be memorized. Turning on the flashlight will return to the same output level if the flashlight is left off for more than 2 seconds.

Power Indicator (under the button switch)

The RGB lamp under the round button indicates the power status of the battery.
Green (100% - 50%); Blue (50% - 10%); Red (Less than 10%). Red and flickering (charging)

Flashlight Maintenance.

- Remove the battery from the flashlight for long term storage.
- Store flashlight away from sources of heat, static electricity, and high humidity.
- Clean the flashlight with soft cloth. Lubricate the threads every 6 months.

Warranty

- This product is disassembled or modified by anyone other than an authorized Jetbeam warranty technician.
- This product is warranted for 24 months (2 years) from the date of purchase from defects in material and workmanship. After this period, repairs may incur a charge for parts and handling.

Warranty will be voided if

- This product is disassembled or modified by anyone other than an authorized Jetbeam warranty technician.
- This product is damaged by using the wrong battery or incorrect usage (such as reversing the polarity of the battery).
- This product is damaged by defective batteries (such as battery leak)

Service

- If warranty service is required, please contact your official Jetbeam dealer.
- To contact Jetbeam, please use the following information:
Email: info@jetbeamlight.com
Phone: +86-0755-28077748
For latest update, please visit www.jetbeamlight.com.

275X120mm 128g双铜, 单黑双面印刷, 风琴折