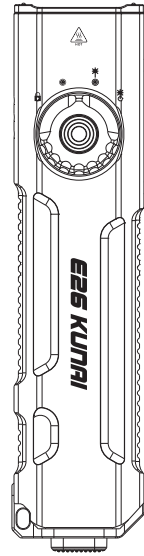


E26 KUNAI

战术版



使用说明书

感谢您购买我们的产品!
www.jetbeamlight.com

产品特性

- 双白光源+绿激光, 亮度加倍
- 采用两颗Luminus SST40 LED, 最高输出达3600流明
- 使用晶透技术, 结合全新数字化光学系统设计光杯, 射程可达230米
- 内置1700mAh聚合物动力电池
- 攻击头钢圈顶端配有4颗超硬度氧化铝陶瓷珠, 助于迅速破窗
- USB-C直插快充接口
- 数字恒流驱动电路, 续航最长可达39小时
- 5种常亮档+爆闪+绿激光
- 新一代IC数字电路设计, LED与电池双重智能保护, 最大程度延长LED和电池使用寿命, 使用更安全
- 双面镀膜防刮光学镜片
- 航空级铝合金制造
- 三级硬质阳极氧化抗磨表面处理
- IPX-8级防水(水下2米)
- 1.5米抗防撞高度

产品参数

- LED: Luminus SST40 *2 + 520nm绿激光 *1
- 最大输出: 3600流明
- 反光杯: 桔面反光杯
- 镜片: 镀膜矿物质玻璃
- 筒身材质: 航空级铝合金
- 筒身处理: 军规三级硬质氧化
- 使用电池: 内置聚合物动力电池
- 开关: 尾部开关+侧按开关+拨盘
- 长度: 131mm
- 宽度: 32mm
- 厚度: 16mm
- 重量: 115克(含电池)

01

亮度和时间

FL1 STANDARD	极亮	高亮	中亮	低亮	极低	绿激光	爆闪
	3600 流明	1300 流明	700 流明	300 流明	20 流明	5 mw	3600 流明
	1.4 小时	1.5 小时	1.7 小时	3.7 小时	39 小时	15 小时	—
	230米						
	13200坎德拉						
	1.5米						
	IPX8						

免费赠送: 战术背夹, 充电线, 手绳



注:

1、以上数据是按照国际电筒测量标准 ANSI/NEMA, FL1所述之测量方法, 使用内置聚合物动力电池在实验室内测量所得, 不同电池或使用环境可能会对以上数据产生影响;

2、电筒在开启30秒高亮档后会启用自降档功能。防止过热并且有效保护LED寿命, 温度过高时手电开始缓慢降档, 直到亮度低于70%, 如果需要再用极亮档, 只需关闭电筒再次打开即可。



警告

不能将光线直接照射眼睛, 以免对眼睛造成伤害。

02

操作手电

开机关: 单击尾按战术开关或侧按开关。

尾部战术开关: 解锁机模式下, 尾部战术开关可一键极亮全功率点射。尾部战术开关打开手电后, 侧按开关可以正常换挡与关机。

拨盘开关: 4种模式, 锁机↔白光↔白光+绿激光↔绿激光, 为防止误触, 拨盘稍紧, 建议双手操作。

锁机: 关闭电筒且按键操作无效。开关未关闭时锁机再解锁, 电筒会恢复极低亮开机。长时间不用手电建议关机后再锁机。

白光: 长按侧开关换挡, 依次是: 极低--低亮--中亮--高亮--极高亮(循环)中途松开再长按则往相反方向换挡; 换挡松开10S或者关机再开机默认为升序换挡(带记忆)。任意档位时双击侧按开关爆闪。

白光+绿激光: 白光与绿激光5mw一起亮, 长按侧开关激光亮度不变白光换挡, 依次是极低--低亮--中亮--高亮--极高亮(循环)中途松开再长按则往相反方向换挡; 换挡松开10S或者关机再开机默认为升序换挡(带记忆)。任意档位时双击侧按开关爆闪。

激光: 长按侧开关换挡, 高低两档, 无记忆默认高亮档, 任意档位时双击侧按开关爆闪。

爆闪: 快速轻触两次尾部战术开关或侧按开关。

03

电量指示

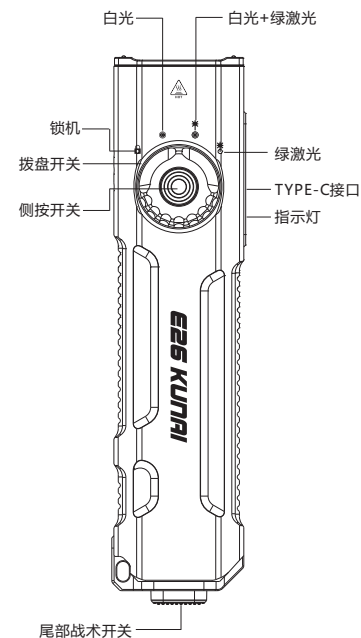
每次开机自动执行电量显示功能, 五秒后指示灯自动关闭;

1. 绿灯常亮: 35%-100%;
2. 橙灯常亮: 15%-35%;
3. 红灯常亮: 小于15%, 提示请及时充电。

充电指示灯显示

充电中: 红色指示灯闪烁;
充满后: 绿色指示灯常亮;

04



05

保固

JETBEAM® 产品拥有售后保固服务。在购买本产品的15天内, 如果有任何质量问题均可向经销商要求免费更换。在购买本产品的60个月内享受免费保固服务。在超过60个月免费保固期后, 本产品享有终身有限度保固服务, 如需要更换重要部件则需要收取成本费用。

本保固规则不适用于以下情况:

1. 人为破坏, 拆解, 改装本产品
2. 错误操作导致产品损坏(如装反电池等)。
3. 电池漏液导致产品损坏。
4. 盐水或海水腐蚀导致产品损坏

如需协助, JETBEAM® 敬请消费者首先联系购买产品的经销商或零售商, 以获得最迅速的售后服务或发邮件到 info@jetbeamlight.com.

备注:

1. 产品数据如有更新, 敬请以JETBEAM官方网站为准。
2. 若充电口有水渍时, 请勿进行充电, 须清理干净后方可充电。
3. 保存手电时请远离有火和潮湿环境。

深圳市杰特明电子科技有限公司

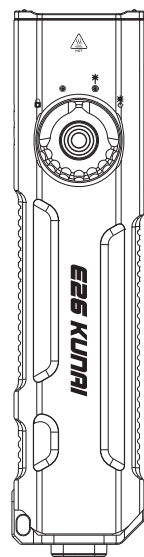
咨询热线: +86-0755-28077748
 销售邮箱: info@jetbeamlight.com
 网址: www.jetbeamlight.com
 公司地址: 广东省深圳市龙华新区大浪南路墩背工业区二栋二楼
 邮编: 518109



06

E26 KUNAI

Tactics Version



User Manual

Thanks for Your Purchase
www.jetbeamlight.com

Features

- Dual white light and green laser
- Two Luminus SST40 LED, up to 3600lumens
- The flashlight uses Crystal Coating Technology, combined with a brand-new digital optical system designed light cup, achieving a range of up to 230 meters
- 1700mah Li-polymer battery built-in
- 4 ultra-high hardness zirconia ceramic beads on the top of strike bezel, helps break window easily and quickly
- Type C quick charging port
- Digital constant current drive circuit, with a maximum runtime of up to 39 hours
- 5 constant brightness modes + strobe + green laser
- New IC circuit design, double protection for LED and battery for a longer life and safer use
- Double-side coated and scratch-resistant optical lens
- Product shell is made of aviation aluminum alloy
- Anti-abrasive surface finished with HA III hard anodization
- IPX-8 water proof (underwater 2 meters)
- 1.5 meters drop test

Specification

- LED : Luminus SST40*2 + 520 nm green laser*1
- Max Lumen : 3600lumen
- Reflector Cup : orange reflector cup
- Lens : coated mineral glass
- Flashlight body material : aviation aluminum alloy
- Flashlight surface finished : military H III hard anodization
- Battery Type : li-polymer battery
- Switch : tail switch + side switch + revolving switch
- Length : 131mm
- Width : 32mm
- Thickness : 16mm
- Weight : 115g(battery included)

01

Output & Runtime

FL1 STANDARD	Turbo	High	Medium	Low	Ultra Low	Green Laser	Strobe
	3600 LM	1300 LM	700 LM	300 LM	20 LM	5 mw	3600 LM
	1.4h	1.5h	1.7h	3.7h	39h	15h	—
	230m						
	13200cd						
	1.5m						
	IPX8						

Extra Accessories Included:

- USB Charging Cable
- Tactical Clip
- Lanyard



Note

1, The above data is measured according to the international flashlight measurement standard ANSI/NEMA, FL1-described measurement method, and obtained by testing with built-in li-polymer batteries in the laboratory. Different batteries or environments may affect the above data.

2, After 30 seconds of being turned on at high brightness, the flashlight will activate the automatic downshift function to prevent overheating and effectively protect the LED lifespan. When the temperature is too high, the flashlight will gradually downshift until the brightness is below 70%. If you need to use the high-brightness mode again, simply turn off the flashlight and turn it on again.



Do Not Expose Laser Light to Human Eyes.

02

User Operation

Power On/Off: Single-click the tail switch or side switch.

Tail Tactical Switch: except in lockout mode, the tail tactical switch can be used to instantly access the maximum brightness. After turning on the flashlight with the tail tactical switch, the side switch can be used to switch modes and turn off the flashlight normally.

Revolving Switch: 4 modes, Lockout ↔ White Light ↔ White Light + Green Laser ↔ Green Laser. To prevent accidental activation, the revolving switch is slightly tight, and it is recommended to operate with both hands.

Lock: when the flashlight is locked, all function is ineffective. unlock the flashlight when the tail tactical switch is on, the flashlight will restore ultra low brightness.

if the flashlight haven't been used for a very long time, please turn off it and then lock.

Side Switch:

1, White Light: When revolving switch pointer points to white light, press the side switch once to turn on the white light, long-press side switch to change modes: ultra-low, low, medium, high, and highest (cycling). If released halfway through, then long-pressing again, mode changes will be in the opposite direction. After releasing the switch for 10s during mode change or turning off and then trun on again, it defaults to ascending mode change (with memory function). Double-clicking the side switch at any mode will activate the strobe.

03

2, White Light + Green Laser: When revolving switch pointer points to white light + green laser, press the side switch once to turn on both white light and 5mW green laser. When the side switch is long-pressed, the laser brightness remains constant while the white light changes modes: ultra-low, low, medium, high, and highest (cycling). If released halfway through, then long-pressing again, mode changes will be in the opposite direction. After releasing the switch for 10 seconds during mode change or turning off and then turn on again, it defaults to ascending mode change (with memory function). Double-clicking the side switch at any mode will activate the strobe.

3, Laser: When revolving switch pointer points to laser, press the side switch once to turn on the laser. long-press the side switch to change between two modes: high and low. no memory function, the default mode is high brightness. Double-clicking the side switch at any mode will activate the strobe.

Strobe: fast slightly touch the tail tactical switch twice or fast press the side switch twice

Battery Indicator

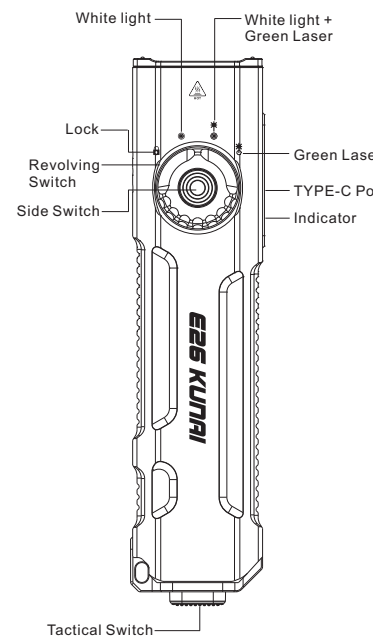
Every time you turn on the power, the power indicator will automatically turn off after 5 seconds;

1. Green light: 35%-100%;
2. Orange light: 15%-35%;
3. Red light: less than 15%

Charging Indicator

Charging: the red led indicator flashes.
When fully charged: the green led indicator is on.

04



05

The warranty rule does not apply to the following situations

- Intentional damage, disassembly, or modification of the product.
- Product damage caused by improper operation (such as installing batteries incorrectly).
- Product damage caused by battery leakage.
- Product damage caused by corrosion from saltwater or seawater.

If help is needed, please kindly first contact the dealer or retailer for fastest after-sales service or send an email to info@jetbeamlight.com.

Note:

- If the product data updates, please refer to the official JETBEAM website for accuracy.
- If product gets water stains, please do not charge the product, please clean the flashlight before charging.
- When storing the flashlight, please keep it away from fire and damp environments.

JETBeam Electronic Technology Co., Ltd

E-mail: info@jetbeamlight.com
 Tel: +86-0755-28077748
 Fax: +86-0755-28175738
 Web: www.jetbeamlight.com
 Address: Dunbei Industrial Park Dalang South Road Longhua Town Shenzhen China 518109



06

385x120mm 128g双铜, 单黑双面印刷, 风琴折